



SINCE 1908
wessels
 company

SUBMITTAL

EPOXY-LINED-SERIES
 EPOXY-LINED STORAGE TANKS

Models: EA-140 thru EA-535

Submittal Sheet No. G-1003A

Date: 4/16

Job Name _____	Submitted By _____	Date _____
Location _____	Approved By _____	Date _____
_____	Order No. _____	Date _____
Engineer _____	Notes _____	
Contractor _____	_____	
Sales Rep. _____	_____	

Description

Wessels EPA Epoxy Lined Storage Tanks are epoxy lined carbon steel vessels. They are designed for commercial and industrial systems that require internal protection that is more robust than traditional fabricated plain steel designs. The tanks are designed to store water for a potable water or water heating system.

Construction

Shell: Carbon Steel
 Interior: NSF Listed Epoxy
 Exterior: Primer Painted

Performance Limitations

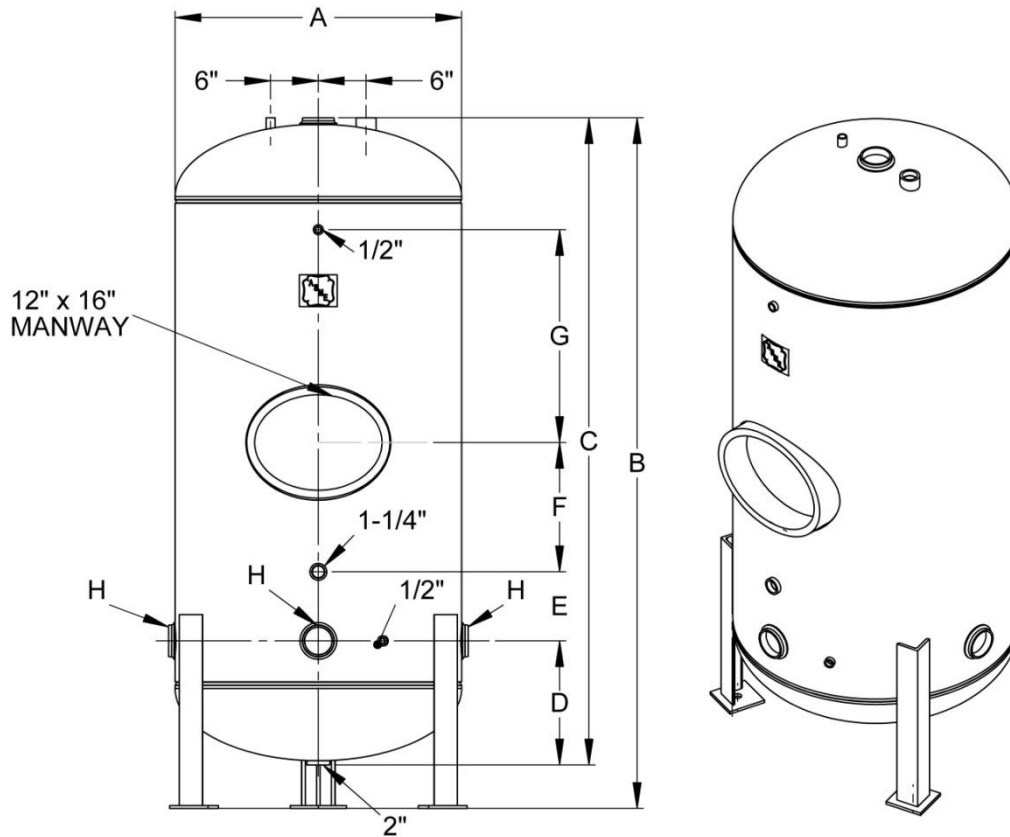
Maximum Design Temperature: 180°F
 Maximum Design Pressure: 150 PSI

Model Number	Part Number	Gallon Capacity	Tagging Information	Quantity
EA-140	35000140	140		
EA-190	35000190	190		
EA-225	35000225	225		
EA-268	35000268	268		
EA-320	35000320	320		
EA-388	35000388	388		
EA-375	35000375	375		
EA-450	35000450	450		
EA-535	35000535	535		

Typical Specification

Furnish and install, as shown on plans and described herein, an EA-_____ epoxy lined storage tank as manufactured by Wessels Company. The tank shall have the dimensions of _____" diameter by _____" (high/length) with a storage capacity of _____ gallons. The interior shall be properly prepared and sandblasted to white metal prior and shall be epoxy-lined with an NSF listed two-part epoxy coating. Epoxy coating shall be continuous over the entire inner surface of the tank. The exterior shall be primer painted. All models shall have a working pressure of 150 PSI and be fabricated to the most recent addendum of Section VIII Division 1 of the ASME Boiler and Pressure Vessel Code.

Each tank shall be Wessels model number EA-_____ or approved equal.



EA-140 thru EA-535

Dimensions & Weights

Model Number	Dimensions in Inches								Approx Shipping Wt (lbs)
	A	B	C	D	E	F	G	H	
EA-140	24	81	75	16 7/8	10	16 1/4	28	2 1/2	350
EA-190	30	72	66	18 3/4	8		17 3/4		460
EA-225		84	78		10		27 3/4		510
EA-268	36	74	68	21	6 3/4	22 1/4	17	3	810
EA-320		86	80		8 3/4		26 3/4		890
EA-388		99	93		9		33 3/4		900
EA-375	42	76 3/4	70 3/4	23 1/2	6	14	18	3	980
EA-450		89 3/4	83 3/4	22 1/4	9 3/4		28		1110
EA-535		102	96	22 1/2			41 1/2		1225

Notes

- 3 angle legs on EA-140 thru EA-388
- 4 angle legs on EA-375 thru EA-535