

SINCE 1908
wessels
 company

SUBMITTAL

FXA-HP-SERIES
 WATER WELL & PRESSURE BOOSTER
 EXPANSION TANKS

Models: FXA-35-HP to FXA-800L-HP
 Submittal Sheet No. C-1007C Rev. 1 6/13/2018

Job Name _____	Submitted By _____	Date _____
Location _____	Approved By _____	Date _____
_____	Order No. _____	Date _____
Engineer _____	Notes _____	_____
Contractor _____	_____	_____
Sales Rep. _____	_____	_____

Description:

Wessels patented type FXA-HP (High Pressure) tanks are ASME replaceable bladder type pre-charged water well & pressure booster expansion tanks for commercial and industrial well and water systems, booster systems, or other potable water applications. They are designed to deliver water under pressure between pump cycles to provide sufficient flow to meet demands. The water is contained in a butyl bladder. All FXA hydro-pneumatic tanks can be installed vertically or horizontally.

Construction:

Shell: Carbon Steel
 Heads: Carbon Steel
 Exterior: Carbocoat 140 - Harvester Red
 Bladder: Heavy Duty Butyl
 FDA Approved
 NSF 61 Listed
 System Connection: Epoxy lined

Design Parameters:

Maximum Design Pressure: _____
 Temperature Range: -20°F to 240°F



61
 Listed
 Materials

Model Number	Part Number 150 PSI	Part Number 200 PSI	Part Number 250 PSI	Part Number 300 PSI	Tank Volume (Gallons)	Tagging Information	Quantity
FXA-35-HP	21020035	21040035	21050035	21060035	10		
FXA-50-HP	21020050	21040050	21050050	21060050	13		
FXA-85-HP	21020085	21040085	21050085	21060085	23		
FXA-130-HP	21020130	21040130	21050130	21060130	35		
FXA-200-HP	21020200	21040200	21050200	21060200	53		
FXA-300-HP	21020300	21040300	21050300	21060300	79		
FXA-400-HP	21020400	21040400	21050400	21060400	106		
FXA-500-HP	21020500	21040500	21050500	21060500	132		
FXA-600-HP	21020600	21040600	21050600	21070600	158		
FXA-800L-HP	21020805	21040805	21050805	21060805	211		

Typical Specification

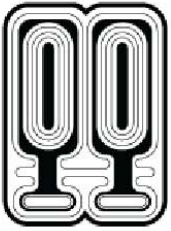
Furnish and install, as shown on plans, a _____ gallon _____" diameter X _____" (high) pre-charged steel water well & pressure booster expansion tank with replaceable heavy-duty butyl bladder. The tank shall have NPT epoxy lined system connections and a 0.302"-32 charging valve connection (standard tire valve) to facilitate the on-site charging of the tank to meet system requirements, a pressure gauge, and bladder integrity monitor. The tank must be constructed in accordance with most recent addendum of Section VIII Division 1 of the ASME Boiler and Pressure Vessel Code.

Each tank shall be Wessels model number FXA-_____-HP or approved equal.



SINCE 1908
wessels
 company

101 Tank Street Greenwood, IN 46143
 P: 317-888-9800 F: 317-865-7411
 www.westank.com

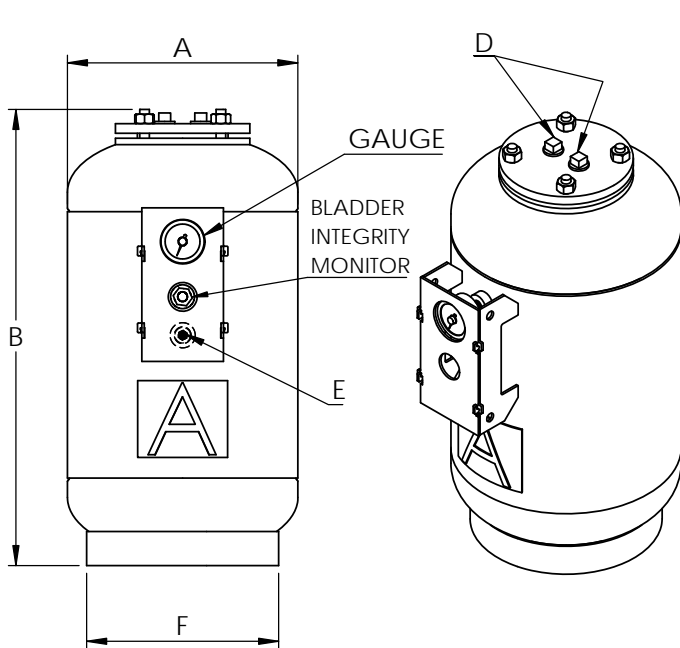


SINCE 1908
wessels
 company

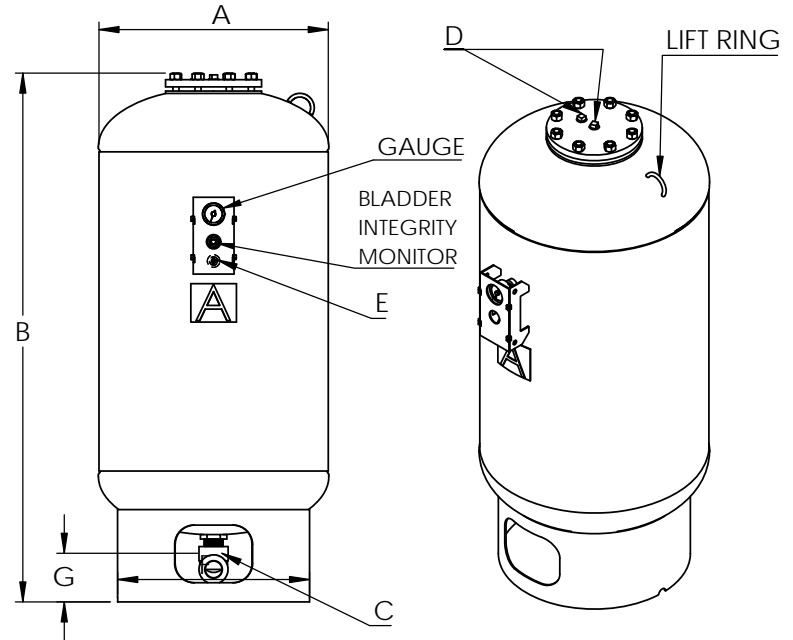
SUBMITTAL

FXA-HP-SERIES
 WATER WELL & PRESSURE BOOSTER
 EXPANSION TANKS

Models: FXA-35-HP to FXA-800L-HP
 Submittal Sheet No. C-1007C Rev. 1 6/13/2018



FXA-35-HP & FXA 50-HP



FXA-85-HP TO FXA-800L-HP

Dimensions & Weights:

Model Number	Dimensions in Inches						Approx. Shipping Weight (lbs)				
	A	B	System Connection		Charging Valve	F	G	150 PSI	200 PSI	250 PSI	300 PSI
			C	D	E						
FXA-35-HP	12	23 1/2	-	-	-	10	-	44	52	53	54
FXA-50-HP	14	24						47	59	65	73
FXA-85-HP	16	37	1 NPT	3/4 NPT	0.302"-32NC	12	5 1/2	86	95	105	122
FXA-130-HP	20							120	127	141	158
FXA-200-HP	24	43	1 1/2 NPT	3/4 NPT	0.302"-32NC	20	5 1/4	179	194	220	283
FXA-300-HP		55						216	252	282	377
FXA-400-HP	30	49	2 NPT	3/4 NPT	0.302"-32NC	24	5 1/4	280	336	410	501
FXA-500-HP		57						340	400	512	607
FXA-600-HP		65						384	419	569	684
FXA-800L-HP	32	76				28		452	592	711	853

Notes:

- Tanks are factory pre-charged at 40 psig and field adjustable.
- California code-sight glass is available upon request.
- Both top and bottom connections (C & D) access the bladder.
- Bottom connection C is intended to be used for main water supply connection. Top connection D can be used for auxiliary gauge, pressure switch, etc.
- Mounting clips are available upon request.
- U.S. Patent No. 8,633,825 B2



SINCE 1908
wessels
 company

101 Tank Street Greenwood, IN 46143
 P: 317-888-9800 F: 317-865-7411
 www.westank.com