

SINCE 1908
wessels
 company

SUBMITTAL

GLASS LINED-SERIES
 INSULATED AND JACKETED GLASS LINED
 STORAGE TANKS

Models: GN-120VJ thru GA-1000VJ

Submittal Sheet No. G-1001C

Date: 9/17

Job Name _____	Submitted By _____	Date _____
Location _____	Approved By _____	Date _____
_____	Order No. _____	Date _____
Engineer _____	Notes _____	
Contractor _____		
Sales Rep. _____		

Description

Wessels type Glass Lined Storage Tanks are designed for optimum energy efficiency, durability and long lasting performance. The fired on glass lining makes this tank impervious to corrosion that continually attacks storage tanks. This assures you the longest tank life possible. They are designed for hot or cold potable water up to 180°F and provide with Magnesium anode rods for longer tank life and maximum protection. Each unit is wrapped with 2" high density insulation to minimize heat loss, give extra jacket rigidity and meet ASHRAE 90.1 (current standard). Steel jacket is finished in baked enamel for long life, with a special anti-corrosion coating on inner and outer surfaces. Each tank has a five year limited warranty.

Construction

Interior: Glass lined
 Exterior: Baked Enamel Finish

Performance Limitations

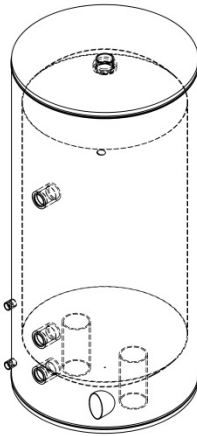
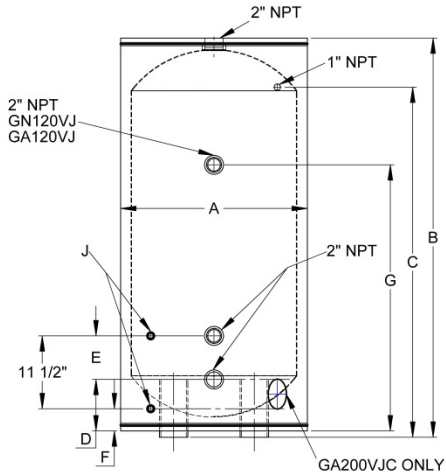
Maximum Design Temperature: 180°F
 Maximum Design Pressure:
 GN-120VJ thru GA-200VJ 150 PSI
 GA-200VJ thru GA-1000VJ 125 PSI

Model Number	Part Number	Gallon Capacity	Tagging Information	Quantity
GN-120-VJ	30424069	120		
GA-120-VJ	34028062	120		
GA-200-VJC	34029077	175		
GA-200-VJ	34030077	200		
GA-250-VJ	34020078	250		
GA-350-VJ	34020078	350		
GA-400-VJ	34036087	400		
GA-500-VJ	34044088	500		
GA-750-VJ	34048106	750		
GA-1000-VJ	34049138	1000		

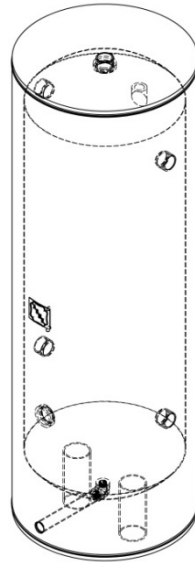
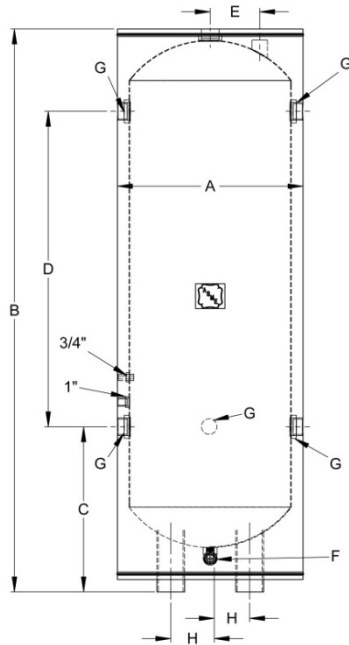
Typical Specification

Furnish and install, as shown on plans and described herein, a WESGLAS Glass Lined Storage Tank Model _____, as manufactured by Wessels Company, or approved equal. All models shall have a working pressure of _____ PSI and be fabricated to the most recent addendum of the ASME Boiler and Pressure Vessel Code. The interior shall be properly prepared and sandblasted to white metal prior, and shall be glass lined with an epitaxial glass crystal combining alkaline borosilicate and cobalt ferrite which has been fused to the steel base by firing at 1600° Fahrenheit. Outer steel jacket shall have a baked enamel finish covering high density insulation to meet ASHRAE 90.1 (current standard). Glass coating shall be continuous over the entire inner surface of the tank. Magnesium anode rods shall be provided.

Each tank shall be Wessels model number GA-_____-VJ or approved equal.



GA-120VJ
thru
GA-200VJC



GA-200VJ
thru
GA-1000VJ

Dimensions & Weights

Model Number	Dimensions in Inches									Approx Shipping Wt (lbs)
	A	B	C	D	E	F	G	H	J	
GN-120-VJ	29 1/2	62	54 1/4	4 1/8	6 7/8	3 1/2	42 1/4	-	3/4	320
GA-120-VJ	28	61 3/4	50 1/2	10 3/4	7	9 3/4	44 1/2			400
GA-200-VJC	32	77	64	12 1/4	5	12 1/4	-			560
GA-200-VJ	36	83	22	45	10	1 1/2	2 1/2	7 3/4	-	615
GA-250-VJ	36	93	23	58	10			7 3/4		750
GA-350-VJ	42	97	24 1/2	54	14			9 1/2		940
GA-400-VJ		105		61						1012
GA-500-VJ	54	84	27 3/4	33 1/4	18	3	12 3/4	1658		
GA-750-VJ		116		65 1/2				2094		
GA-1000-VJ		150		97 1/2				3328		

Notes

- Model GN-120VJ is not fabricated to ASME Boiler and Pressure Vessel Code.