

SINCE 1908
wessels
 company

SUBMITTAL
SPA-SERIES
 AIR SEPARATOR

Models: SPA-2 to SPA-24
 Submittal Sheet No. D-1003A Rev. 1 9/12/2018

Job Name _____ Location _____ _____ Engineer _____ Contractor _____ Sales Rep. _____	Submitted By _____ Date _____ Approved By _____ Date _____ Order No. _____ Date _____ Notes _____ _____ _____
---	--

Description:

Wessels SPA ASME Vortex type Air Separators eliminate air quickly and efficiently from open and closed loop heating/cooling systems. Water enters and exits through unique "tangential" connections, which promote a low velocity swirling effect in the center of the unit. Natural centrifugal forces allow the heavier air-free water to move toward the outer edges while entrained air is captured within the "eye" of the vortex and released out of the top of the separator. The bubble-free water then exits near the bottom of the unit, protecting the systems against the noise, corrosion, and damage commonly caused by entrained air.

Construction:

Shell: Carbon Steel
 Heads: Carbon Steel
 Exterior: Red Oxide Primer
 Interior: Unlined

Design Parameters:

Maximum Design Pressure: 125 PSIG*
 Temperature Range: -20°F to 450°F

*Higher pressures also available

MODEL NUMBER	PART NUMBER	MAX FLOW (GPM)	TAGGING INFORMATION	QUANTITY
SPA-2	72300045	56		
SPA-2.5	72300078	90		
SPA-3	72300100	190		
SPA-4	72300133	300		
SPA-5	72300166	530		
SPA-6	72300188	850		
SPA-8	72300210	1900		
SPA-10	72030010	3200		
SPA-12	72030012	4800		
SPA-14	72072014	6100		
SPA-16	72072016	8000		
SPA-18	72072018	9700		
SPA-20	72072020	12000		
SPA-22	72072022	15000		
SPA-24	72072024	17000		

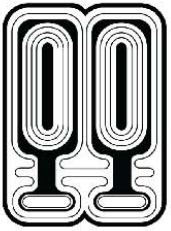
Typical Specification:

Furnish and install, as shown on plans, a vortex type AIR SEPARATOR model SPA-_____ sized for _____ GPM, with _____" (NPT/Flanged) tangential connections, as manufactured by Wessels Company. A blowdown connection shall be provided to facilitate routine cleaning of the unit. The tank must be constructed in accordance with most recent edition of Section VIII Division 1 of the ASME Boiler and Pressure Vessel Code, and shall be constructed and stamped for 125 PSIG working pressure @ -20°F to 450°F. Each air separator shall be Wessels model number SPA-_____ or approved equal.



SINCE 1908
wessels
 company

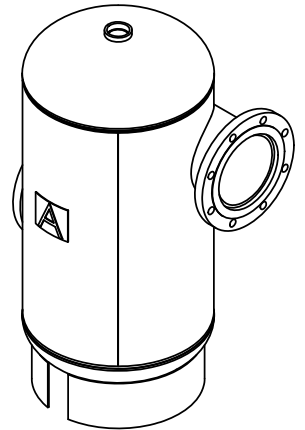
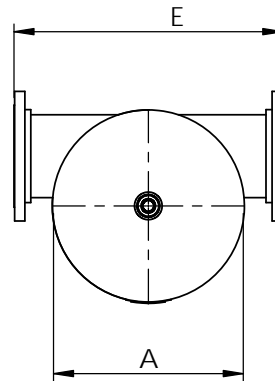
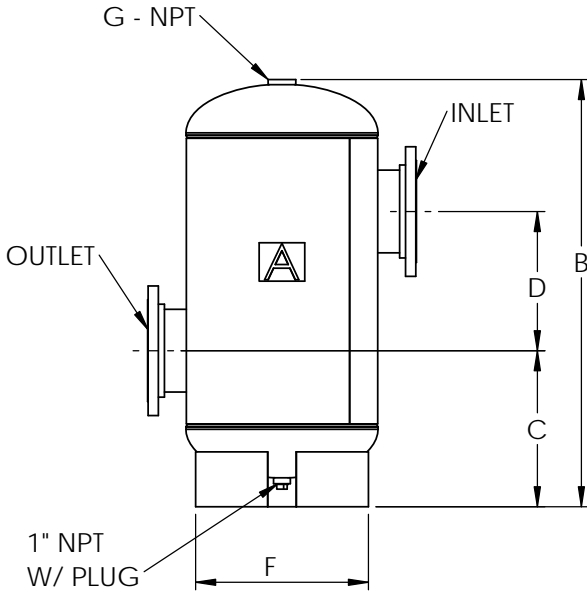
101 Tank Street Greenwood, IN 46143
 P: 317-888-9800 F: 317-865-7411
 www.westank.com



SINCE 1908
wessels
 company

SUBMITTAL
SPA-SERIES
 AIR SEPARATOR

Models: SPA-2 to SPA-24
 Submittal Sheet No. D-1003A Rev. 1 9/12/2018



SPA-2 thru SPA-24

Dimensions & Weights:

Model Number	Dimensions in Inches								Approx. Shipping Weight (lbs)				
	Connection Size	A	B	C	D	E	F	G					
SPA-2	2 NPT	12	22 1/2	9 5/16	8 1/2	16 5/8	9 1/2	1 1/4	34				
SPA-2.5	2.5 NPT			9 3/4	8	19 3/4			37				
SPA-3	3			12 1/8	10 3/4	21 3/4			45				
SPA-4	4	14	32	16 1/4	14 1/2	28	18	1 1/2	80				
SPA-5	5								21 1/2	20	41	125	
SPA-6	6	20	44	21 1/2	20	41	24	2	175				
SPA-8	8								31 1/2	46 3/8	30	210	
SPA-10	10								42 1/2	60	72	50	460
SPA-12	12	30	60 1/2	21 1/2	20	41	24	2	577				
SPA-14	14								38	40	60	38	850
SPA-16	16								41	50	66	44	1858
SPA-18	18	54	124	41	50	66	44	2	2490				
SPA-20	20								60	72	50	3346	
SPA-22	22								66	78	56	3879	
SPA-24	24	66	150	46	66	80	56	2	4211				

Notes:

- Mounting Clips Available Upon Request



SINCE 1908
wessels
 company

101 Tank Street Greenwood, IN 46143
 P: 317-888-9800 F: 317-865-7411
 www.westank.com