

SINCE 1908
wessels
 company

SUBMITTAL

SS-SPA-S-SERIES
 SEVERE SERVICE AIR SEPARATOR WITH
 STRAINER

Models: SS-SPA-1.5S thru SS-SPA-24S

Submittal Sheet No. D-1004B

Date: 4/16

Job Name _____	Submitted By _____	Date _____
Location _____	Approved By _____	Date _____
_____	Order No. _____	Date _____
Engineer _____	Notes _____	
Contractor _____		
Sales Rep. _____		

Description

Wessels Severe Service SPA ASME Vortex type Air Separators are designed for systems that require more corrosive resistance than standard carbon steel. SPA separators eliminate air quickly and efficiently from open and closed loop heating/cooling systems. Water enters and exits through unique "tangential" connections, which promote a low velocity swirling effect in the center of the unit. Natural centrifugal forces allow the heavier air-free water to move toward the outer edges while entrained air is captured within the "eye" of the vortex and released out of the top of the separator. The bubble-free water then exits near the bottom of the unit, protecting the systems against the noise, corrosion, and damage commonly caused by entrained air. SPA units also include system strainer.

Construction

Shell: 304 Stainless Steel*
 Heads: 304 Stainless Steel*
 Strainer: Stainless Steel

Performance Limitations

Maximum Design Temperature: 450°F
 Maximum Design Pressure: 125 PSIG**

*316L Stainless Steel Available

**200 & 250 PSIG Available

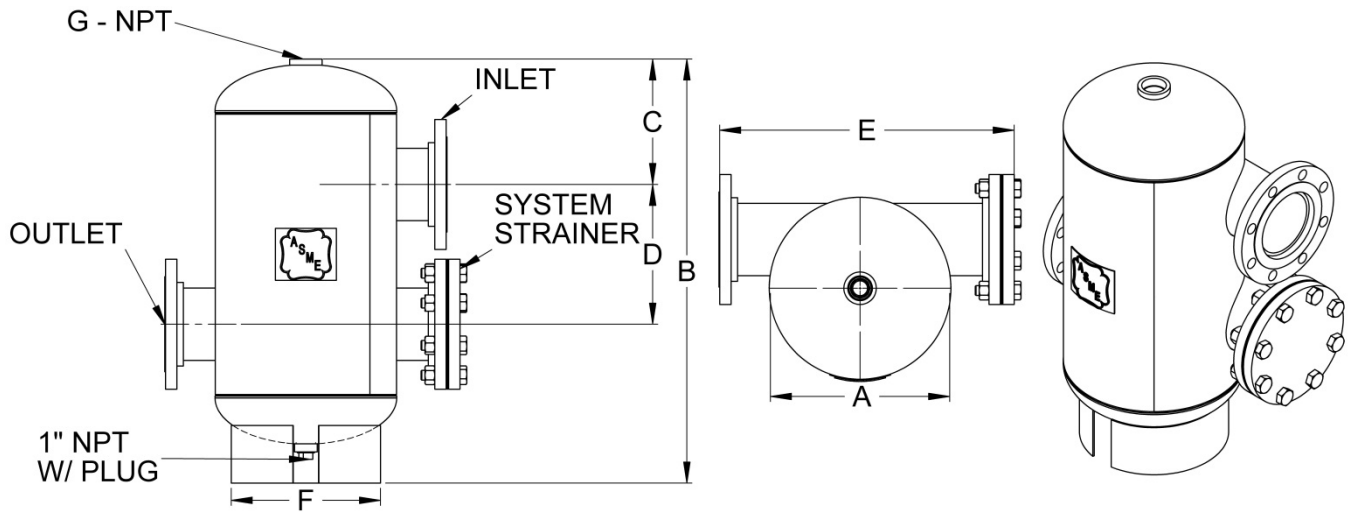
Model Number	Part Number	Max Flow (GPM)	Tagging Information	Quantity
SS-SPA-1.5-S	72060015	35		
SS-SPA-2-S	72060020	56		
SS-SPA-2.5-S	72060025	90		
SS-SPA-3-S	72060030	190		
SS-SPA-4-S	72060040	300		
SS-SPA-5-S	72060050	530		
SS-SPA-6-S	72060060	850		
SS-SPA-8-S	72060080	1900		
SS-SPA-10-S	72060100	3200		
SS-SPA-12-S	72060120	4800		
SS-SPA-14-S	72060140	6100		
SS-SPA-16-S	72060160	8000		
SS-SPA-18-S	72060180	9700		
SS-SPA-20-S	72060200	12000		
SS-SPA-22-S	72060220	15000		
SS-SPA-24-S	72060240	17000		

Typical Specification

Furnish and install, as shown on plans, a 304 stainless steel vortex type air separator model SS-SPA _____-S sized for _____ GPM, with _____" (NPT/Flanged) tangential connections, as manufactured by Wessels Company. A blowdown connection shall be provided to facilitate routine cleaning of the unit. The tank must be constructed in accordance with most recent addendum of Section VIII Division 1 of the ASME Boiler and Pressure Vessel Code, and shall be constructed and stamped for 125 PSI working pressure @ 450°F.

Each air separator shall be Wessels model number SS-SPA _____-S or approved equal.

101 TANK ST • GREENWOOD, IN 46143 • (317) 888-9800 • (317) 888-9988 FAX • www.westank.com



SS-SPA-1.5S thru SS-SPA-24S

Dimensions & Weights

Model Number	Dimensions in Inches								Approx. Shipping Wt (lbs)
	Conn. Size	A	B	C	D	E	F	G	
SS-SPA-1.5-S	1.5 NPT	12	24 1/2	6 1/3	8 1/2	16 5/8	9 1/2	1 1/4	71
SS-SPA-2-S	2 NPT			6 7/8	8	19 3/4			72
SS-SPA-2.5-S	2.5 NPT			8 1/8	10 3/4	21 3/4			100
SS-SPA-3-S	3			9 1/8	10 3/4	21 3/4			108
SS-SPA-4-S	4	14	32	9 1/8	10 3/4	21 3/4	11 1/2	1 1/2	159
SS-SPA-5-S	5								180
SS-SPA-6-S	6	20	44	13 1/4	14 1/2	28	18	2	298
SS-SPA-8-S	8								372
SS-SPA-10-S	10	30	60 1/2	19	20	41	24		840
SS-SPA-12-S	12								868
SS-SPA-14-S	14	36	78	22	31 1/2	46 3/8	30		1160
SS-SPA-16-S	16	48	108	30	40	60	38		2308
SS-SPA-18-S	18	54	124	33	50	66	44		3039
SS-SPA-20-S	20	60	138	35	60	72	50		3980
SS-SPA-22-S	22	66	150	38	66	78	56		4261
SS-SPA-24-S	24	66							4932

Notes

- Available with mounting clips.
- Flanged connection is standard unless otherwise specified.