

SINCE 1908
wessels
 company

SUBMITTAL

SSA-SERIES

SHOCK AND SURGE TANKS

Models: SSA-35 thru SSA-800L

Submittal Sheet No. E-1001A

Date: 11/17

| | | |
|------------------|--------------------|------------|
| Job Name _____ | Submitted By _____ | Date _____ |
| Location _____ | Approved By _____ | Date _____ |
| _____ | Order No. _____ | Date _____ |
| Engineer _____ | Notes _____ | |
| Contractor _____ | _____ | |
| Sales Rep. _____ | _____ | |

Description

Wessels type SSA Tanks are ASME replaceable bladder pre-charged hydro-pneumatic tanks for commercial, industrial, municipal and well water systems that effectively control water hammer shock and pump start-up and shut-down water surge. The vessels are fabricated to 250 PSI with large water system connection designed to accept potentially harmful water surge pressures quickly with minimal pressure drop. The water is contained in a butyl bladder.

Construction

Shell: Carbon Steel
 Bladder: Heavy Duty Butyl
 System Connection: Carbon Steel

Performance Limitations

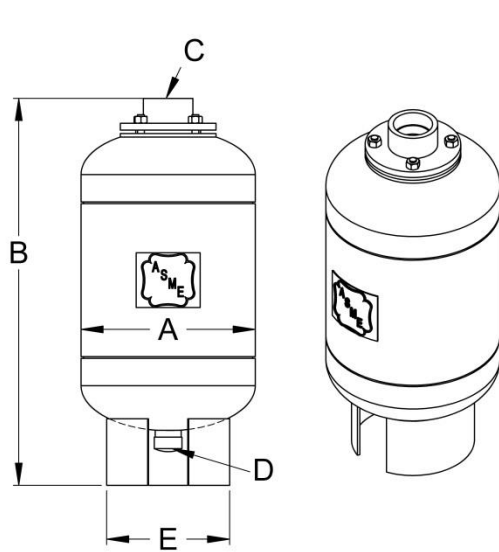
Maximum Design Temperature: 230°F
 Maximum Design Pressure: 250 PSIG

| Model Number | Part Number | Tank Volume (Gallons) | Tagging Information | Quantity |
|--------------|-------------|-----------------------|---------------------|----------|
| SSA-35 | 26050035 | 10 | | |
| SSA-50 | 26050050 | 13 | | |
| SSA-85 | 26050085 | 23 | | |
| SSA-130 | 26050130 | 35 | | |
| SSA-200 | 26050200 | 53 | | |
| SSA-300 | 26050300 | 79 | | |
| SSA-400 | 26050400 | 106 | | |
| SSA-500 | 26050500 | 132 | | |
| SSA-600 | 26050600 | 158 | | |
| SSA-700 | 26050700 | 185 | | |
| SSA-800L | 26050800 | 211 | | |

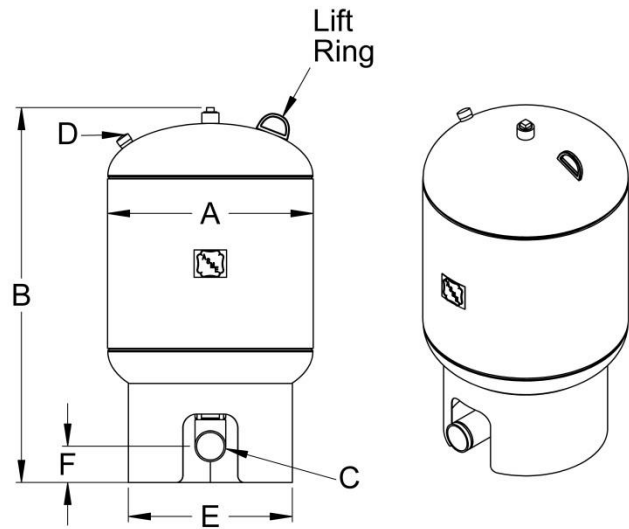
Typical Specification

Furnish and install, as shown on plans, a _____ gallon _____" diameter X _____" (high) pre-charged hydro-pneumatic expansion tank with heavy-duty butyl bladder. The tank shall have NPT, flanged, or grooved system connections and a 0.302"-32 charging valve connection (standard tire valve) to facilitate the on-site charging of the tank to meet system requirements. The tank must be constructed in accordance with most recent addendum of Section VIII Division 1 of the ASME Boiler and Pressure Vessel Code.

Each tank shall be Wessels model number SSA-_____ or approved equal.



SSA-35 thru SSA-130



SSA 200 thru SSA 800

Dimensions & Weights

| Model Number | Dimensions in Inches | | | | | | Approx. Ship Wt. (lbs) |
|--------------|----------------------|--------|-------------------|----------------|-------|-------|------------------------|
| | A | B | System Connection | Charging Valve | E | F | |
| | | | C | D | | | |
| SSA-35 | 12 | 26 | 2 1/2 NPT | 0.302" - 32NC | 9 | - | 63 |
| SSA-50 | 14 | | | | 10 | | 74 |
| SSA-85 | 16 | 12 | 116 | | | | |
| SSA-130 | 20 | 16 | 135 | | | | |
| SSA-200 | 24 | 47 | 4 G | | 20 | 5 | 250 |
| SSA-300 | | 58 1/2 | | | 3 5/8 | 360 | |
| SSA-400 | 30 | 52 1/2 | 6 G | | 24 | 5 1/4 | 430 |
| SSA-500 | | 63 | | | | 6 | 525 |
| SSA-600 | | 71 | | | 6 1/2 | 640 | |
| SSA-700 | | 81 1/2 | | | | 749 | |
| SSA-800L | 32 | 84 | | 26 | 6 | 760 | |

Notes

- Tanks are factory pre-charged at 30 psi and field adjustable.
- Available with mounting clips.
- SSA-35 and SSA-50 have NPT system connection.
- G-Grooved Pipe Connection/ F-Flanged Connection (Available)