

SINCE 1908
wessels
company

SUBMITTAL

TXA-SERIES
 DOMESTIC HOT WATER
 EXPANSION TANKS

Models: TXA-1000 to TXA-15000

Submittal Sheet No. B-1004B Rev. 1 5/17/2018

Job Name _____	Submitted By _____	Date _____
Location _____	Approved By _____	Date _____
_____	Order No. _____	Date _____
Engineer _____	Notes _____	_____
Contractor _____	_____	_____
Sales Rep. _____	_____	_____

Description:

Wessels patented type TXA tanks are ASME replaceable bladder type pre-charged domestic hot water expansion tanks for commercial and industrial potable hot water applications. They are designed to be installed between a backflow preventer and a hot water heater so it can accept the expanded volume of hot water and keep the system pressure below the relief valve setting. The water is contained in a butyl bladder. All TXA expansion tanks can be installed vertically or horizontally.

Construction:

Shell: Carbon Steel
 Heads: Carbon Steel
 Exterior: Carbocoat 140 - Harvester Red
 Bladder: Heavy Duty Butyl (FDA Approved)
 System Connection: Stainless Steel

Design Parameters:

Maximum Design Pressure: 150 PSIG*
 Temperature Range: -20°F to 240°F

*200 & 250 PSIG available

Model Number	Part Number	Tank Volume (Gallons)	Tagging Information	Quantity
TXA-1000	20011000	264		
TXA-1200	20011200	317		
TXA-1400	20011400	370		
TXA-1600	20011600	422		
TXA-2000	20012000	528		
TXA-2500	20012500	660		
TXA-3000L	20013000	792		
TXA-3000S	20013001	792		
TXA-4000	20014000	1056		
TXA-5000	20015000	1320		
TXA-7500	20017500	1980		
TXA-10000	20019999	2640		
TXA-15000	20150000	3963		

Typical Specification

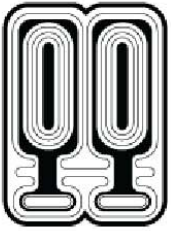
Furnish and install, as shown on plans, a _____ gallon _____" diameter X _____" (high) pre-charged steel domestic hot water expansion tank with replaceable FDA approved butyl bladder. The tank shall have a bottom NPT stainless steel system connection and a 0.302"-32 charging valve connection (standard tire valve) to facilitate the on-site charging of the tank to meet system requirements, a pressure gauge, and bladder integrity monitor. The tank shall be fitted with lifting rings and a floor mounting skirt for vertical installation. The tank must be constructed in accordance with most recent addendum of Section VIII Division 1 of the ASME Boiler and Pressure Vessel Code and stamped 150 psi working pressure.

Each tank shall be Wessels model number TXA-_____ or approved equal.



SINCE 1908
wessels
company

101 Tank Street Greenwood, IN 46143
 P: 317-888-9800 F: 317-865-7411
 www.westank.com



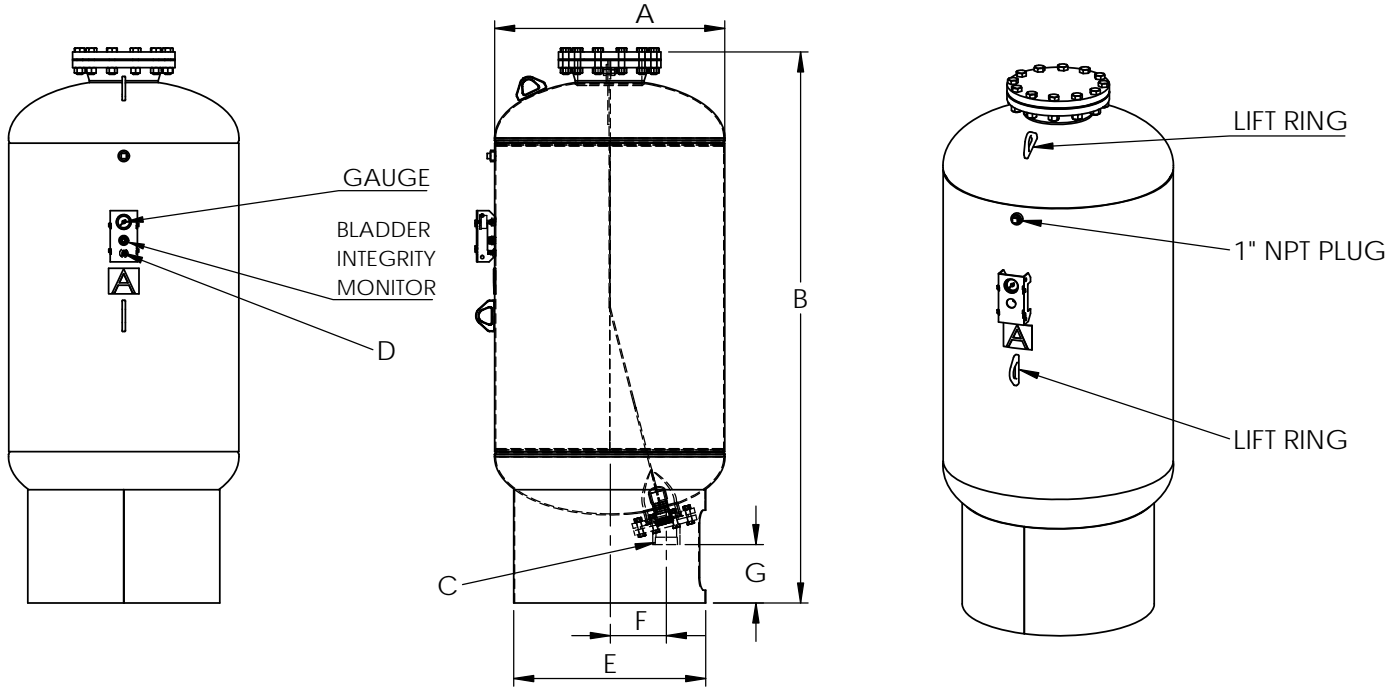
SINCE 1908
wessels
 company

SUBMITTAL

TXA-SERIES
 DOMESTIC HOT WATER
 EXPANSION TANKS

Models: TXA-1000 to TXA-15000

Submittal Sheet No. B-1004B Rev. 1 5/17/2018



TXA-1000 TO TXA-15000

Dimensions & Weights:

Model Number	Dimensions in Inches							Approx. Shipping Weight (lbs)
	A	B	System Connection C	Charging Valve D	E	F	G	
TXA-1000	36	87	3	0.302- 32NC	30	8	9 1/8	735
TXA-1200		98 1/2					745	
TXA-1400		110 1/2					8 7/8	900
TXA-1600	48	84	4	0.302- 32NC	42	9	9 1/8	1210
TXA-2000		96					1305	
TXA-2500		110					8 7/8	1430
TXA-3000L		133					9	1575
TXA-3000S	60	93	4	0.302- 32NC	54	10	9 3/4	2169
TXA-4000		115					9 7/16	2638
TXA-5000		138					9 7/8	3246
TXA-7500	72	140	4	0.302- 32NC	60	11	8	4080
TXA-1000		172					4920	
TXA-15000		243					6000	

Notes:

- Tanks are factory pre-charged at 40 psig and field adjustable.
- California code-sight glass is available upon request.
- Tanks installed horizontally must have the system connection below the horizontal centerline of the tank.
- Mounting clips are available upon request.
- U.S. Patent No. 8,633,825 B2.



SINCE 1908
wessels
 company

101 Tank Street Greenwood, IN 46143
 P: 317-888-9800 F: 317-865-7411
 www.westank.com